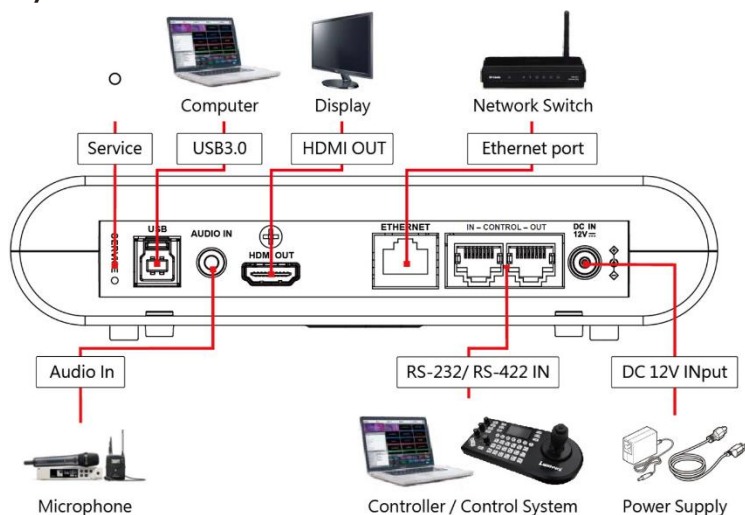


# VC-R32 Quick Installation Guide

## 1. I/O interface



※Ethernet port supports PoE (IEEE802.3af).

## 2. Camera Live View

### ▪ HDMI Output

Connect to a display with a HDMI cable to output camera image.

※Camera default resolution 1080p/ 60

### ▪ USB Output

Connect to a PC with a USB cable and the camera can be used as a webcam with video conferencing applications such as Zoom, Microsoft Teams and others.

### ▪ IP Output

Connect to a network router with a Cat5e cable and follow the steps below to login the website to view live video and control the camera.

### 1. Check Camera IP Address

Default is DHCP enabled. Use remote control to check IP address by going to **[Menu]> [Ethernet]> [IP Address]**.

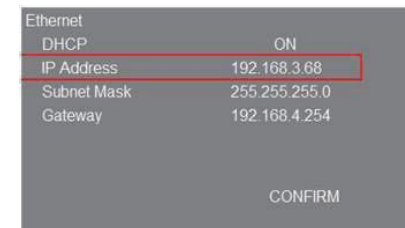
※If connecting the camera directly to a PC, the default IP of camera is 192.168.100.100.

### 2. Open a web browser, and enter the IP address in the address bar.

192.168.3.68

### 3. Enter the account and password to log in.

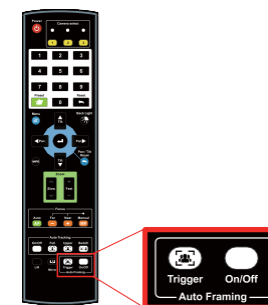
- Account: admin
- Password: 9999



## 3. Advanced - Auto Framing

With Auto-Framing technology, the camera will automatically detect the position of the human body and adjust the person to the center of the screen according to the number of people in the meeting environment to present the best image and enhance the efficiency of the meeting.

- Press [On/ Off] on the remote control to enable/disable the Auto Framing function.



※ For questions about installation, please scan the QR Code. A support person will be assigned to assist you.

